

### Features

- Track roller guide & Belt type unit
- Multi mover available
- Various axis combination
- High tensile timing belt
- Customized options
- Easy maintenance

### How to order

①
②
③
④
⑤
⑥
⑦
⑧
⑨
⑩

① Sereis

② Model  
60 / 80 / 100

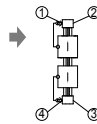
③ Slider option  
S: Standard (4 roller bearings)  
T: S + 2 additional bearings  
H: S + 4 additional bearings  
※ Please contact us for additional quantity of slider

④ Rail Length (Unit: mm)  
60 : 700 ~ 5000  
80 : 800 ~ 5000  
100 : 700 ~ 5000  
※ Please contact us for longer stroke than standard

⑤ Drive version (0 : Standard, 2 : Shaft type)

TYPE		MODEL		
Pulley direction	Pulley type	60	80	100
2002	-	●	●	●

※ Please contact us for customized pulley type



⑥ Color  
Blank : White (outer)  
B : Black (outer)

⑦ Sensor (dog included)  
Blank : None  
C : Photo sensor + Basic socket – Basic 3EA  
CJ : C + Cable socket 2M – Basic socket  
Other than basic : C(J)(Qty) Example)C2,CJ2

⑧ Mounting bracket  
Blank : None  
D(Qty) : Necessary quantity. Example)D2,D3

⑨ Bracket of reducer (including coupling)  
Blank : None

TYPE		MODEL		
SYMBOL	SIZE	60	80	100
E2	62	●	●	
E3	90	●	●	●
E4	120			●

Basic option : ATG, APLUS, SESAME

⑩ Customized code

### Sensor

Model	Item number	Sensor and connector
60	SX671-PL	 EE-SX671 + EE1001
80		
100		
60	SX671-L-PL	 EE-SX671 + EE1006
80		
100		

### Sensor dog

Model	Photo sensor for single	Photo sensor for double
60	PSBS-60-PL	PSBD-60-PL
80	PSBS-80-PL	PSBD-80-PL
100	PSBS-100-PL	PSBD-100-PL

### Mounting bracket

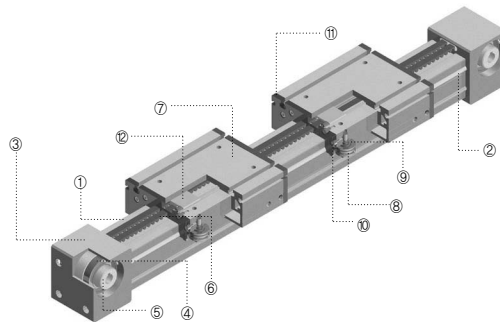
Model	Item number	Remarks
60	MBK60-PL	
80	MBK80-PL	
100	MBK100-PL	

MBB specifications

Specification	MBB60	MBB80	MBB100
Max speed (mm/s)	2000	2000	2000
Payload (kgf)	30 (horizontal)	40 (horizontal)	60 (horizontal)
Stroke (mm)	Max. 5000	Max. 5000	Max. 5000
Repeatability (mm)	± 0.05	± 0.05	± 0.05
Diameter of pulley (mm)	∅ 41.38	∅ 61.12	∅ 81.49
Pulley action perimeter (mm/rev)	130	192	256
No load torque (Nm)	0.6	0.9	1.4
Belt	RPP5 / W9	RPP8 / W12	RPP8 / W20
LM Guide	S : 4roller bearing Standard / H : S type + 4 roller bearings		
Basic weight (kgf)	7.3	15.9	36.0
Weight per 100mm stroke (kgf)	0.5	0.8	1.4
Motor (W)	200	400	750
Size (mm, W x H)	60 x 90	80 x 121	100 x 155

Note) Customized options such as motor raydent and LM guide are available.

MBB structure



► Component list

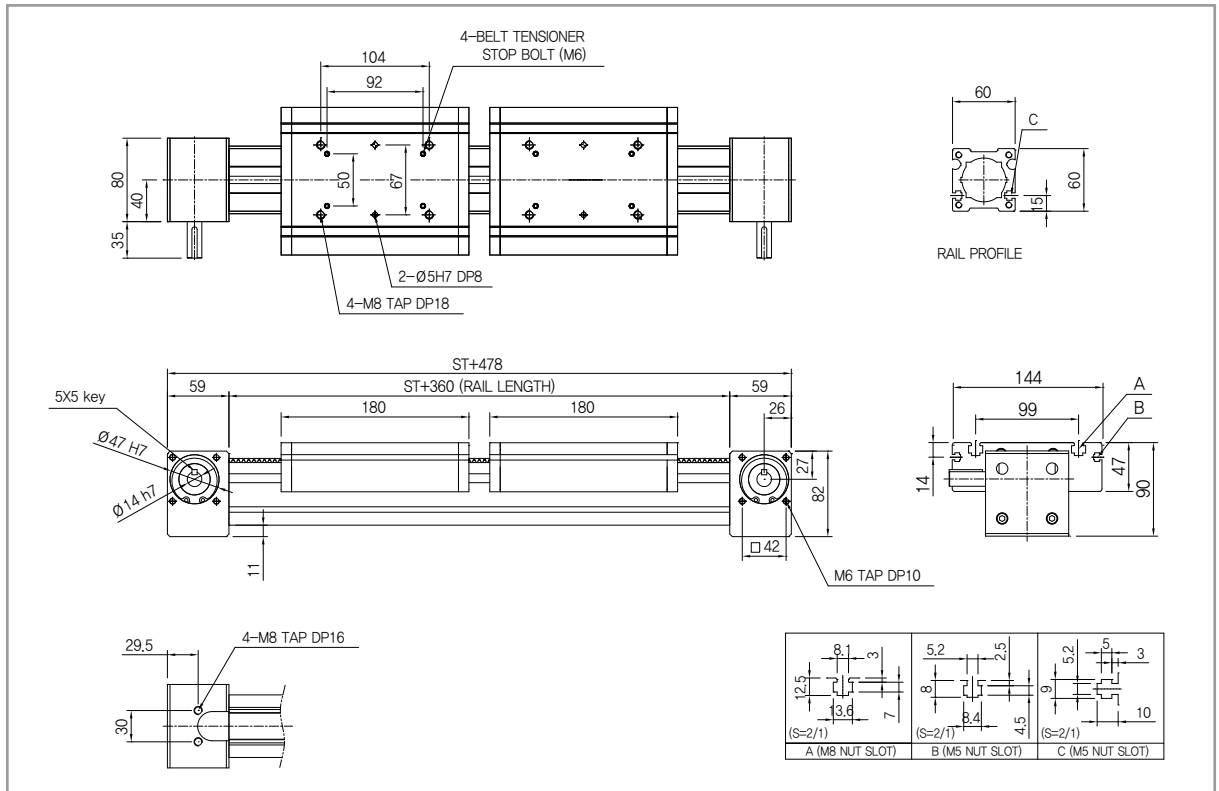
No	Component name		Material	No	Component name	Material
1	Rail		Aluminum alloy	7	Slider block	Aluminum alloy
2	Model	Shaft	Bearing steel	8	Track roller	Bearing steel
	60	∅10				
	80	∅12				
	100	∅16				
3	Pulley box		Aluminum alloy	9	Washer	-
4	Bearing		-	10	Wiper	FELT
5	Timing pulley		High carbon steel	11	Sealing	EP
6	Timing belt		Urethane	12	Belt clip	Carbon steel

# MBB 60

## Basic specifications

Model	Rail Length(mm)	Gear Ratio	Speed (mm/s)	Motor (W)	Max. Payload(kg)	
					Horizontal(0.3G)	Horizontal(0.5G)
MBB60	700~5000	10	650	200	30	25
		5	1300		14	12

## MBB60



- Please contact us to change sensor or motor options.
- Customized tap or pin pitch on the bottom is available.

## Weight & speed for each stroke

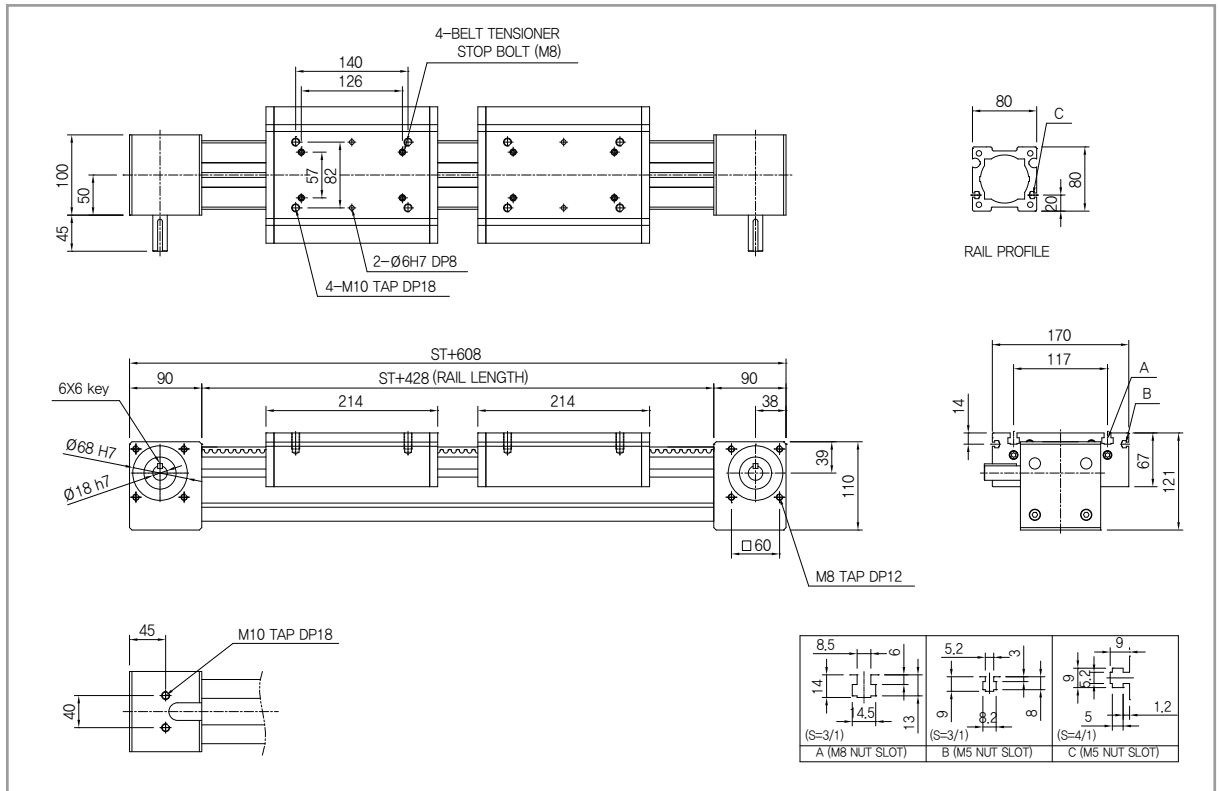
Rail Length(mm)	1000	1100	1200	1300	1400	1500	1600	1700	1800	1900	2000	2500	3000	3500	4000	4500	5000	Model
Weight(kg)	12.3	12.8	13.3	13.8	14.3	14.8	15.3	15.8	16.3	16.8	17.3	19.8	22.3	24.8	27.3	29.8	32.3	MBB60

Note) The weight of motor and reducer is not included.

Basic specifications

Model	Rail Length (mm)	Gear Ratio	Speed (mm/s)	Motor (W)	Max. Payload(kg)	
					Horizontal(0.3G)	Horizontal(0.5G)
MBB80	800~5000	20	480	400	40	35
		10	960		20	15

MBB80



- Please contact us to change sensor or motor options.
- Customized tap or pin pitch on the bottom is available.

Weight & speed for each stroke

Rail Length(mm)	1000	1100	1200	1300	1400	1500	1600	1700	1800	1900	2000	2500	3000	3500	4000	4500	5000	Model
Weight(kg)	23.9	24.7	25.5	26.3	27.1	27.9	28.7	29.5	30.3	31.1	31.9	35.9	39.9	43.9	47.9	51.9	55.9	MBB80

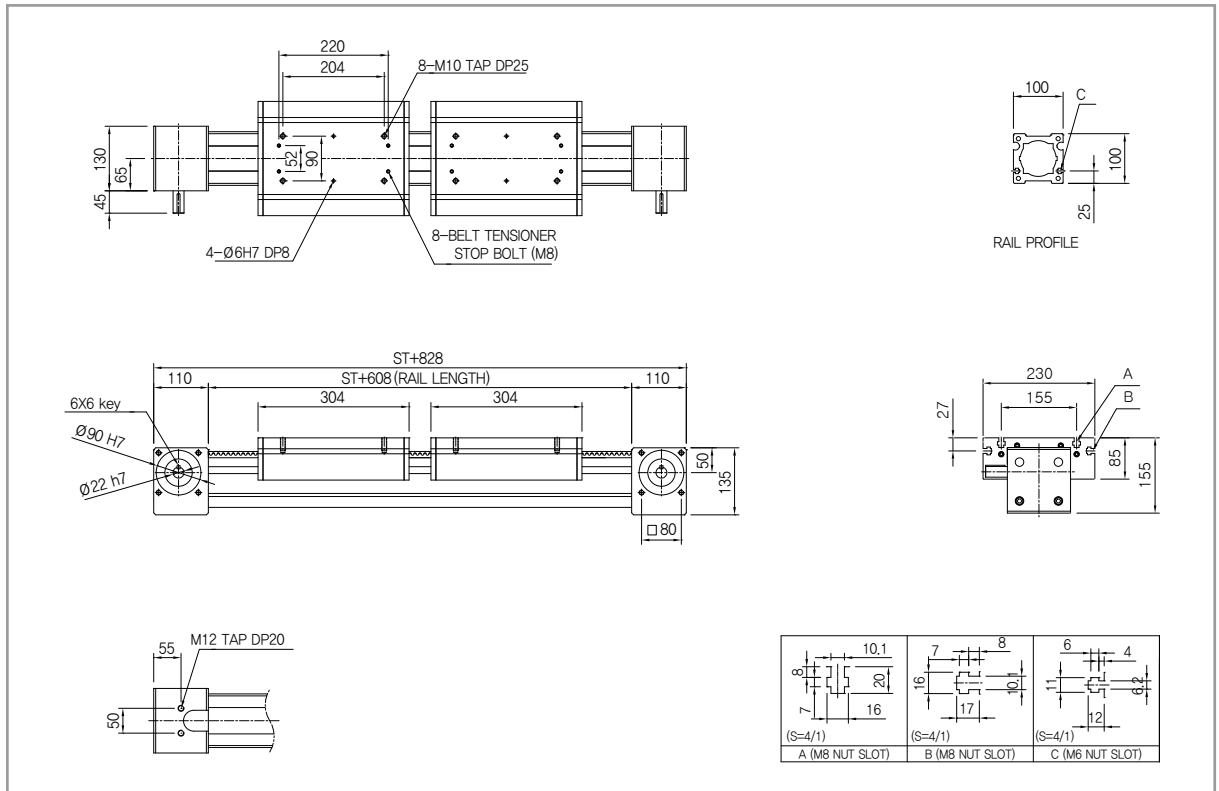
Note) The weight of motor and reducer is not included.

# MBB 100

## Basic specifications

Model	Rail Length(mm)	Gear Ratio	Speed (mm/s)	Motor (W)	Max. Payload(kg)	
					Horizontal(0.3G)	Horizontal(0.5G)
MBB100	700~5000	20	640	750	60	50
		10	1280		40	30

## MBB100



- Please contact us to change sensor or motor options.
- Customized tap or pin pitch on the bottom is available.

## Weight & speed for each stroke

Rail Length(mm)	1000	1100	1200	1300	1400	1500	1600	1700	1800	1900	2000	2500	3000	3500	4000	4500	5000	Model
Weight(kg)	47.0	48.1	49.2	50.3	51.4	57.0	58.4	59.8	61.2	62.6	64.0	71.0	78.0	85.0	92.0	99.0	106.0	MBB100

Note) The weight of motor and reducer is not included.

